

**UFO reflector for 100W**

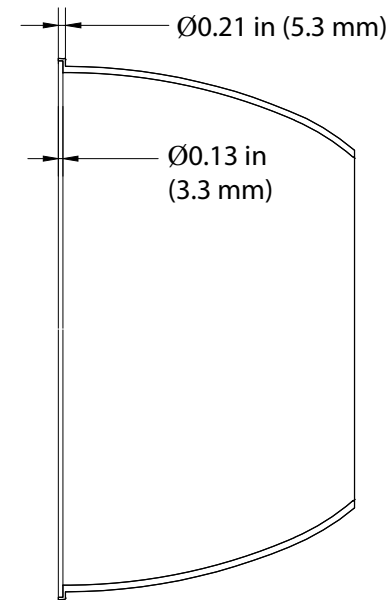
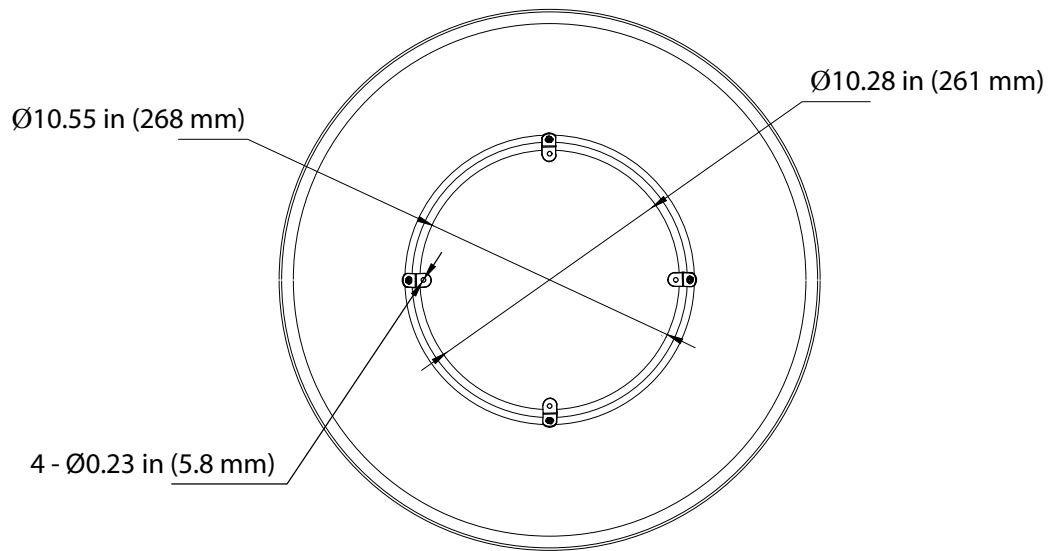
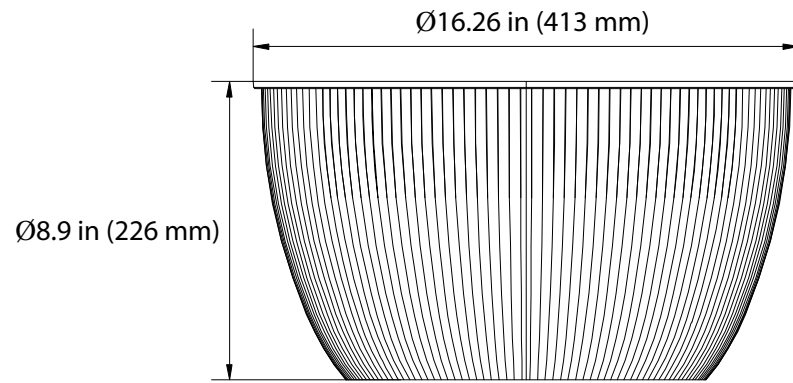
**P10376 CVR-11HBR100-PC**



SCALE : 1:1

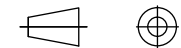
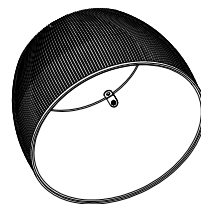
Measure Tolerance is:  
±0.15 mm, ±0.01in

Material: Aluminium



**UFO reflector for 150W**

**P10377 CVR-13HBR150-PC**



SCALE : 1:1

Measure Tolerance is:  
 $\pm 0.15 \text{ mm, } \pm 0.01 \text{ in}$

Material: Aluminium